

LR3 3-Way Full Range Speakers

INVISIBLE SPEAKERS

The LR3 incorporates an acoustically coupled, high-quality, high-power 8" (203 mm) cone woofer, two directly coupled midrange emitters, and a single directly coupled high frequency emitter. The directly coupled devices incorporate a 1" (25 mm) neo-magnet motor bonded to carbon fiber transmission plates allowing for smooth frequency extension to 20kHz.

Recommended Applications: Home theater surround sound systems, high-end multi-room audio systems, foreground music, background music, voice paging or sound reinforcement. The LR3 can be installed into framing as narrow as 9-1/2" (241 mm) with 3/8" (9.5 mm) or thicker wallboard.

Model	Quantity	Price	Width:	15-7/8"	(403 mm)
LR3	Pair	€ 2250	Height:	30"	(762 mm)
LR3S	Single	€ 1300	Depth:	3-1/4"	(83 mm)

Performance:

200 watts RMS per channel 40Hz – 20kHz Impedance: 4 Ω nominal 75W minimum recommended power



LR8 2-Way Full Range Speakers

The LR8 incorporates an acoustically coupled high quality, high-power 8" cone woofer and a directly coupled 1" (25 mm) neo-magnet high-frequency motor. Advanced internal carbon fiber materials allow for smooth frequency extension to 20 kHz.

Recommended Applications: Multi-room audio systems, foreground music, background music, voice paging, home theater surround sound systems, or sound masking systems. The Model LR8 can be installed between framing as narrow as 9-1/2" (241 mm) with 3/8" (9.5 mm) or thicker wallboard.

Model	Quantity	Price	Width:	15-7/8"	(403 mm)
LR8	Pair	€ 1200	Height:	22"	(559 mm)
LR8S	Single	€ 695	Depth:	3-1/4"	(83 mm)

Performance: 120 watts RMS per channel 45Hz – 20kHz Impedance: 8 Ω nominal 50W minimum recommended power



LR6 2-Way Full Range Speakers

Invisible Full Range Speakers

The LR6 incorporates an acoustically coupled high quality, high-power 6" (152 mm) cone woofer and a directly coupled 1" (25 mm) neo-magnet high-frequency motor. Advanced internal carbon fiber materials allow for smooth frequency extension to 20 kHz.

Recommended Applications: Multi-room audio systems, foreground music, background music, voice paging, sound masking systems, or home theater surround sound systems. The Model LR6 can be installed between framing as narrow as 8-1/2" (216 mm) with 3/8" (9.5 mm) or thicker wallboard.

Model	Quantity	Price	Width:	15-7/8"	(403 mm)
LR6	Pair	€ 1100	Height:	11-7/8"	(302 mm)
LR6S	Single	€ 650	Depth:	3"	(76 mm)

Performance: 100 watts RMS per channel 45Hz – 20kHz Impedance: 8 Ω nominal 50W minimum recommended power



SLR8 Stereo Full Range Speaker

The SLR8 incorporates an acoustically coupled high quality, high-power 8" (203 mm) cone, dual voice coil woofer and two directly coupled 1" (25 mm) neo-magnet high-frequency motors. Each channel is isolated with its own independent cross over. Advanced internal carbon fiber materials allow for smooth frequency extension to 20 kHz.

Recommended Applications: Ideal for locations where space is limited such as hallways, closets, and bathrooms, multi-room audio systems, foreground music, background music, The SLR8 can be installed between framing as narrow as 9-1/2" (241 mm) with 3/8" (9.5 mm) or thicker wallboard.

Model	Quantity	Price	Width:	15-7/8"	(403 mm)
SLR8	Single	€ 795	Height:	22"	(559 mm)
			Depth:	3-1/4"	(83 mm)

Performance: 80 watts RMS per channel 45Hz – 20kHz ± 5 dB Impedance: 8 Ω



B30 Subwoofer

The B30 is a two-panel monaural subwoofer system. Each panel incorporates two acoustically coupled, high-quality, high-power 8" (203 mm) cone woofers. The panels are designed to work in pairs as a monaural output subwoofer. This two-panel system approach allows each panel to be impedance selected and placed wherever they perform best, free of visual concerns that may conflict with architectural features. The impedance can be changed from 4 Ω (in parallel) to 16 Ω (in series) via a jumper located on the back of each panel.

Recommended Applications: Home theater surround sound systems, multi-room audio systems, added bass for foreground music, added bass for background music.

Model	Quantity	Price	Width:	15-7/8"	(403 mm)
B30	Pair	€ 1100	Height:	30"	(762 mm)
			Depth:	3-1/4"	(83 mm)

Performance: 100 watts RMS per channel 20Hz – 160Hz Impedance: 4 Ω or 16 Ω 60W minimum recommended power

Invisible Subwoofers



B22 Subwoofer

The B22 is a compact subwoofer speaker system designed to provide bass frequency enhancement in Stealth Acoustics speaker systems. The B22 system includes two panels, each containing one 8" (203 mm) polypropylene cone woofer. Ideal for any surround sound, foreground music or whole-house audio system that needs extra bass output. This two-panel system approach allows each panel to be placed wherever they perform best, free of visual concerns that may conflict with architectural features.

Recommended Applications: Multi-room audio systems, added bass for foreground music, added bass for background music, home theater surround sound systems.

Model	Quantity	Price	Width:	15-7/8"	(403 mm)
B22	Pair	€ 795	Height:	22"	(559 mm)
			Depth:	3-1/4"	(83 mm)

Performance: 80 watts RMS per channel 30Hz – 150Hz ± 5 dB Impedance: 8 Ω 50W minimum recommended power



8400 Multi-Channel Amplifier

The Stealth Acoustics 8400 is a versatile multi-channel amplifier designed to be used as a power source for Stealth Acoustics wall or ceiling mounted, invisible speaker and sub panels. With eight bridgeable channels and built in optimization for the speaker line, the 8400 is intended to be used in home theater or for Totally Invisible, Full Range, Whole House Audio™ applications. The 8400 may stack with other components or mount in a standard 19" (483 mm) equipment rack using only two RU spaces requiring 3-1/2" (89 mm).

Model	8400	Price
		€ 2,495

Functions and Features:

- Removable rack mounts
- EQ presets for LR3, LR6 and LR8
- Base and treble controls for each channel
- Volume control for each channel
- Mute control for each channel
- Common-bus line level inputs
- Variable delay settings for each channel
- Dedicated line level inputs per channel
- IR control: Front receiver, rear mini TRS
- Menu LEDs (blue) with dimming

Specifications:

- 8 channel output power
- 80W at 8 Ω < 0.3 THD x 8
- 160W at 8 Ω < 0.3 THD 2 channel bridged
- THD < 0.05 at 1W, 4 Ω/100Hz
- S/N 86 Db below rated output
- Current draw: 12.6A at 81W/ 8 Ω - 120VAC/100Hz
- Phoenix type terminals (12 ga.)
- LPF: 100Hz/18 Db per octave
- Treble control: 10kHz shelf (each channel)
- Bass control: 100Hz shelf (each channel)

Amplifiers



(Front)



(Rear)

Width:	19"	(483 mm)
Height:	3-1/2"	(89 mm)
Depth:	13-5/8"	(346 mm)

255R Subwoofer Amplifier

The Stealth Acoustics 255R is an integrated monaural subwoofer amplifier/ crossover system designed as a low distortion power source for Stealth Acoustics wall or ceiling mounted, invisible subwoofer panels or other un-powered subwoofer speakers. Intended for home theater or Totally Invisible, Full Range, Whole House Audio™ applications, the 255R may stack with other components or mount in a standard 19" (483 mm) equipment rack using only two RU spaces requiring 3-1/2" (89 mm).

Model	255R	Ship Weight	Price
			€ 950

Functions and Features:

- Removable rack mounts
- Variable low pass filter with bypass switch
- Auto on/standby function
- Speaker level inputs and outputs (binding posts)
- Line level inputs and outputs (RCA)
- Balanced line inputs and outputs (XLR)
- Standby LED (red) Active LED (blue)
- Output level monitor LEDs (blue)

Specifications:

- Mono power output
- 250W at 8 Ω < 0.05 THD
- 350W at 4 Ω < 0.05 THD
- THD < 0.05 at 1W, 4 Ω/100Hz
- S/N 86 Db below rated output
- Current draw: 6.2A at 350W/ 4 Ω - 115VAC/60Hz
- 8 Ω nominal - 4 Ω minimum
- LPF: 50Hz - 150Hz/18 Db per octave (variable with bypass switch)
- HPF: 18Hz / 30 dB per octave (fixed)

Amplifiers - cntd



(Front)



(Rear)

Width:	19"	(483 mm)
Height:	3-1/2"	(89 mm)
Depth:	13-5/8"	(346 mm)

Constant Voltage Transformers – Optional

For use with all Stealth Acoustics speakers. Transformer: 25, 70, and 100 Volt .
Taps: 1.9, 3.7, 7.5, and 15 watts

Price

Model	Single	Price
		€ 79

Additional transformers are available

Contact Stealth Acoustics for more information

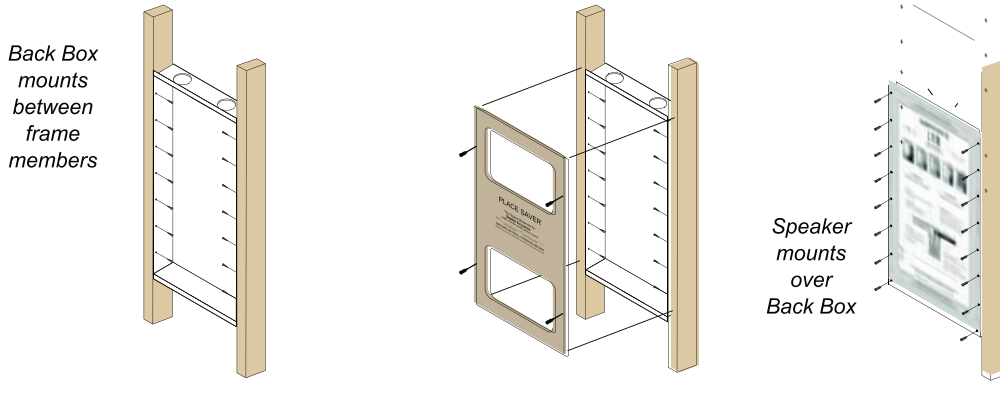
MBX Series – Metal Back Box

UL Listed Metal Back Boxes

Back boxes should be installed before wallboard is hung and insulated before speakers are installed. Two knock-out ports are located on top and bottom of the box. Insulation is included.

Model	Quantity	Price	Fits Speakers	Width	Height	Depth
MBX-30	Each	€ 175	LR3, B30	(368 mm)	(762 mm)	(89 mm)
MBX-22	Each	€ 160	SLR8 LR6, LR8, B22	(368 mm)	(559 mm)	(89 mm)

Must install PlaceSaver™ over MBX to ensure proper rough opening.



MBA Series – Metal Back Box – Adjustable

For variable width framing, hat channel, and metal studs

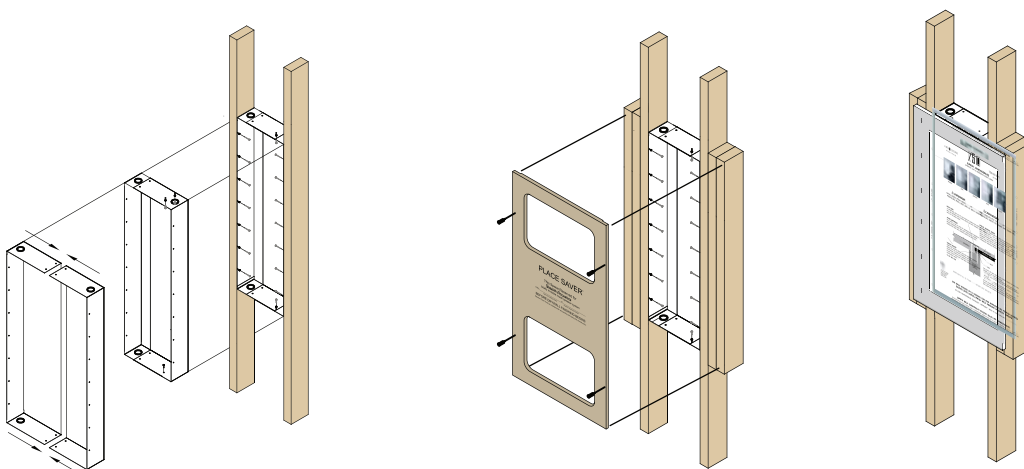
Now Featuring:



Adjustable width from 9-1/2" (241 mm) to 14-1/2" (368 mm) and should be installed before wallboard is hung. Back boxes should be insulated before speakers are installed. Two knock-out ports are located on top and bottom of the box. Self-adhesive Dynamat™ insulation is included.

Model	Quantity	Price	Fits Speakers	Width	Height	Depth
MBA-30	Each	€ 250	LR3, B30	9.5"-14.5" (241-368 mm)	30" (762 mm)	3.5" (89 mm)
MBA-22	Each	€ 195	LR6, LR8, SLR8, B22	9.5"-14.5" (241-368 mm)	22" (559 mm)	3.5" (89 mm)

Must install PlaceSaver™ over MBA to ensure proper rough opening.



PlaceSaver™ Pre-Installation Brackets

PlaceSavers™ are temporary place-holders for use on new construction. PlaceSavers™ protect speakers to a minimum by reducing the speaker panel's exposure on the harsh construction environment. Each Stealth Acoustics speaker panel has a corresponding PlaceSaver™ model. PlaceSavers™ are sold in packs of six (3 pair) and are re-usable. PlaceSavers™ are also designed to mate with MBX and MBA series back boxes as a system.

Model	Quantity	Price per box	Fits Speakers	Width	Height
PS-30	6 per box	€ 220	LR3, B30	(406 mm)	(762 mm)
PS-8	6 per box	€ 200	LR8, SLR8, B22	(406 mm)	(559 mm)
PS-6	6 per box	€ 180	LR6	(406 mm)	(305 mm)

Must install PlaceSaver™ with MBX or MBA Back Box to ensure proper rough opening.



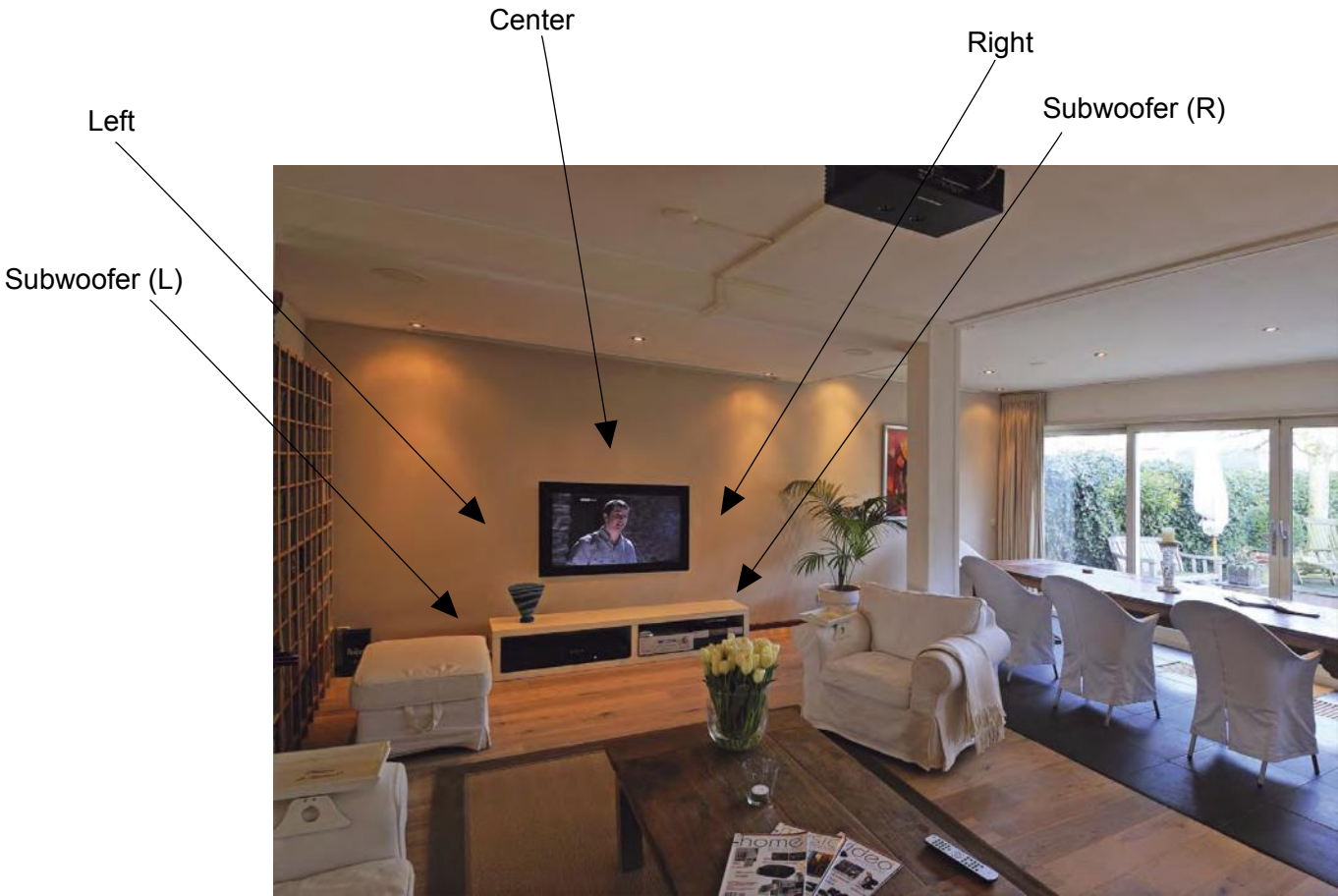
PlaceSaver™ installed during pre-wire phase

SK-1 Shim Kit

The Shim Kit allows for the speaker panels face to be shimmed out further depending on the finishing method. Each kit contains both 1/16" (1.6 mm) and 1/8" (3.2 mm) thick shims in bundles of 25.

Shipping weight: 4 lbs. (1.8 kg)

Price per kit € 100



Five loudspeakers in the wall - ask for the review by Music Emotion's Werner Ero

T: +31(0)70-40 42 647
 F: +31(0)70-32 06 079
 E: info@dimex.nl
 I: www.dimex.nl

Dimex

Reference Audio Equipment